

永祥[®]
YONGXIANG

MNML29

立式铁辊碾米机

VERTICAL IRON ROLL WHITENER



湖北永祥粮食机械股份有限公司

HUBEI YONGXIANG FOOD PROCESSING MACHINE CO.,LTD.

用途简介

MNML29立式铁辊碾米机是永祥为满足现代大型碾米企业集约化、规模化生产需要，结合长期研发、生产碾米机的专业技术，综合国内外立式碾米机的优点，精心设计、优化完善的新一代产品，该机具有产量大、使用寿命长，操作简单等特点，主要用于糙米开糙及碾白，是大型碾米企业理想的主力设备。

产品特点

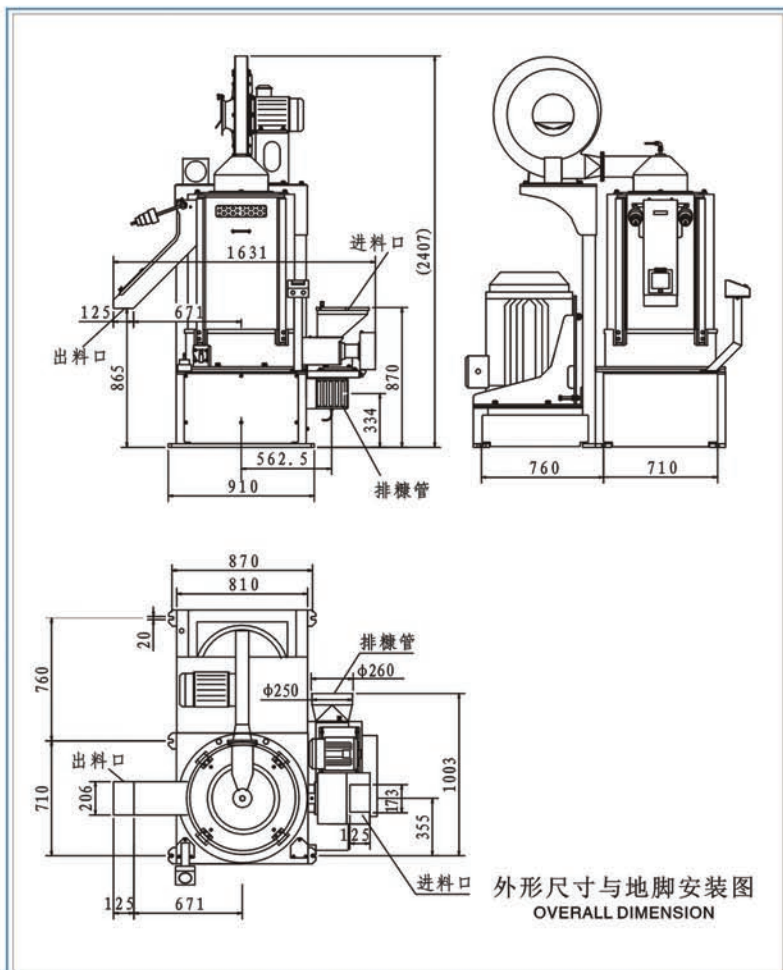
- 采用蛟龙强制进料，流量稳定，产量大，增碎少。
- 配备风门调节装置，电流和负压显示、负压可调，操作方便。
- 本机主轴轴承和电机轴承、皮带、负压表等关键部件采用国际品牌元件，性能优良，稳定可靠。
- 易损件采用耐磨材料并用先进工艺制造，使用寿命长。配备多种电机带轮供选择，能够适应不同品种稻米的加工需要。
- 可选择多方位进料和出料，配套方便快捷。

USE INTRODUCTION

To realize intensive and large-scale production needs in modern large-scale rice milling enterprises, combined with long-term research and development, professional and technical advantages in the rice mills production, MNML29 vertical iron whitener is well designed, optimized and improved new generation of product, featuring large output, long life, simple operation, mainly for processing brown rice and making it whitening. It is a main equipment for large rice milling enterprise

FEATURES

- Using force feeding auger, flow stability, large output, less broken rice increment.
- With air adjustment device and current and negative pressure display, adjustable negative pressure, easy to operate.
- The key components such as main shaft bearings and motor bearings, belts, negative pressure meter and others adopt international brand components, good performance, stable and reliable.
- Wearing parts adopt wear-resistant material, manufacturing with advanced technology, long service life.
- Equipped with a variety of motor pulleys for choice, able to adapt to different varieties of rice processing needs. Optional multi-directional feed and discharge, fast and easy matching.



主要技术参数 MAIN TECHNICAL DATA

型号 Type	MNML29		
处理量 Output(t/h)	10-15	进料蛟龙电机 Auger Power(kw)	3
主轴转速 Rotary speed(rpm)	370-450	喷风风机电机 Turbo fan Power(kw)	4
主电机 Main Power(kw)	55-75	机重 Weight(kg) 含75kw电机	2065

产品技术参数如有变更恕不另行通知 If technologic data has been changed without further information

通过ISO9001国际标准质量体系认证 ISO 9001 -2008 Certified

E-mail:yongxiangmiji@sohu.com http://www.hbyxlj.com

地址：湖北省安陆市府河大道2号

ADD: 2 FUHE AVE., ANLU CITY, HUBEI, CHINA

电话(TEL): 0712-5254443 5254445 5258762 传真(FAX):0712-5254443 邮编(POSTCODE): 432600