

TCQY系列圆筒初清筛

TCQY系列圆筒初清筛是一种原料清理设备。广泛适用于米厂、粮食加工厂及饲料厂等行业。主要用来清除原料中的大杂质。如茎秆、麻绳、石块、纸片等。以保证物料的品质。避免机器设备发生故障或损坏。

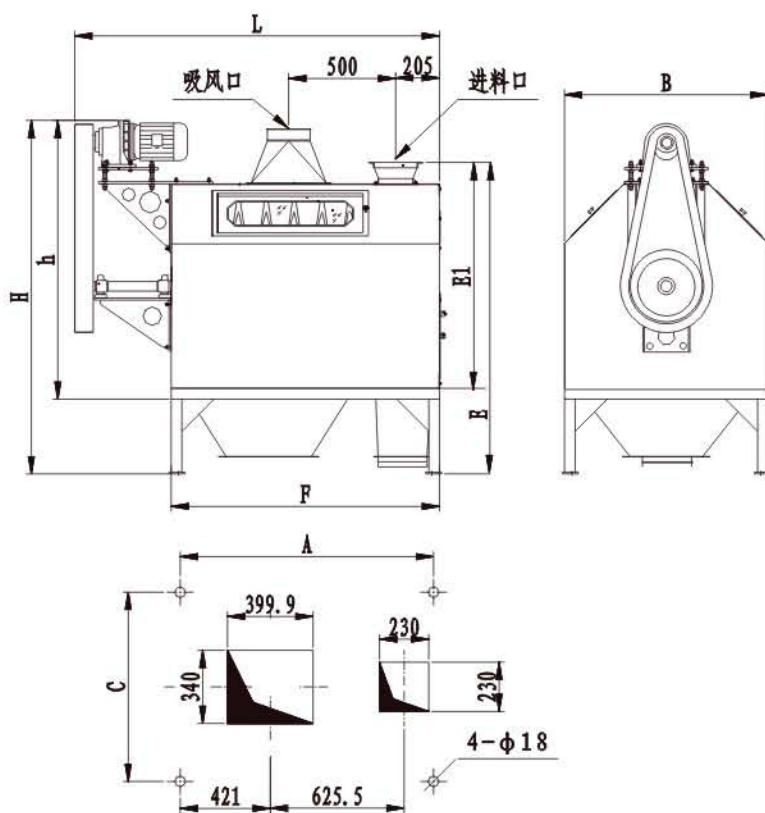
特点

- 产量高
- 功耗小
- 结构紧凑
- 占地面积小
- 换筛方便

TCQY series drum sieve is designed to clean raw material in rice milling plant and feedstuff plant, mainly removing the large impurities such as stalk, hemptwist, clods, fragments of a brick and stone so as to ensure the quality of material and prevent the equipment from be damaged or fault.

Feature

- The unit has the feature such as large capacity, low power, compact construction, small required area, easy to replace the screen, etc.



型号	H	h	E1	L	F	A	B	C	B
TCQY63	1386	1090	853	1142	904	562	754	800	1336
TCQY80	1649	1249	1458	1705	1254	1184	954	883	1581

(外形尺寸与地脚安装图)

主要技术参数

型号Type	TCQY80	TCQY63
处理量Output (t/h)	8-10	6-8
主机动力Power (kW)	2.2	1.1
风量Air volume (m ³ /H)	720	600
机重Weight (kg)	400	290

通过ISO9001国际标准质量体系认证

E-mail: yongxiangmiji@sohu.com http://www.hbyxlj.com

地址: 湖北省安陆市府河大道8号

ADD: 8 FUHE AVE. ANLU CITY, HUBEI, CHINA

电话(TEL): 0712-5254443 5254445 5258762 传真(FAX): 0712-5254443 邮编(POSTCODE): 432600